

Model

VA4 RCMBP

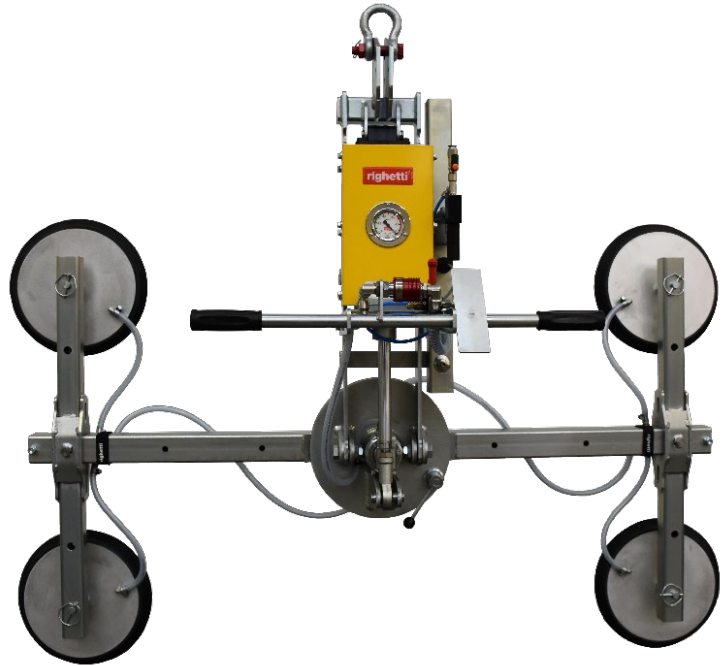
 Kg max
400

AIR Power supply
Compressed Air

The model VA4 RCMBP is a **vacuum glass lifter specific for indoor use**, with four suction pads d. 310 mm, compressed air powered with lifting capacity 400Kg. The pads are replaceable along the arms; and the arms are replaceable along the central beam, which is long 1500 mm.

The lifter features manual **360° continuous rotation and powered 0 – 90° tilt**, thank to its pneumatic cylinder. Equipped with an audio-visual alarm control unit that warns the operator of possible dangerous situations.

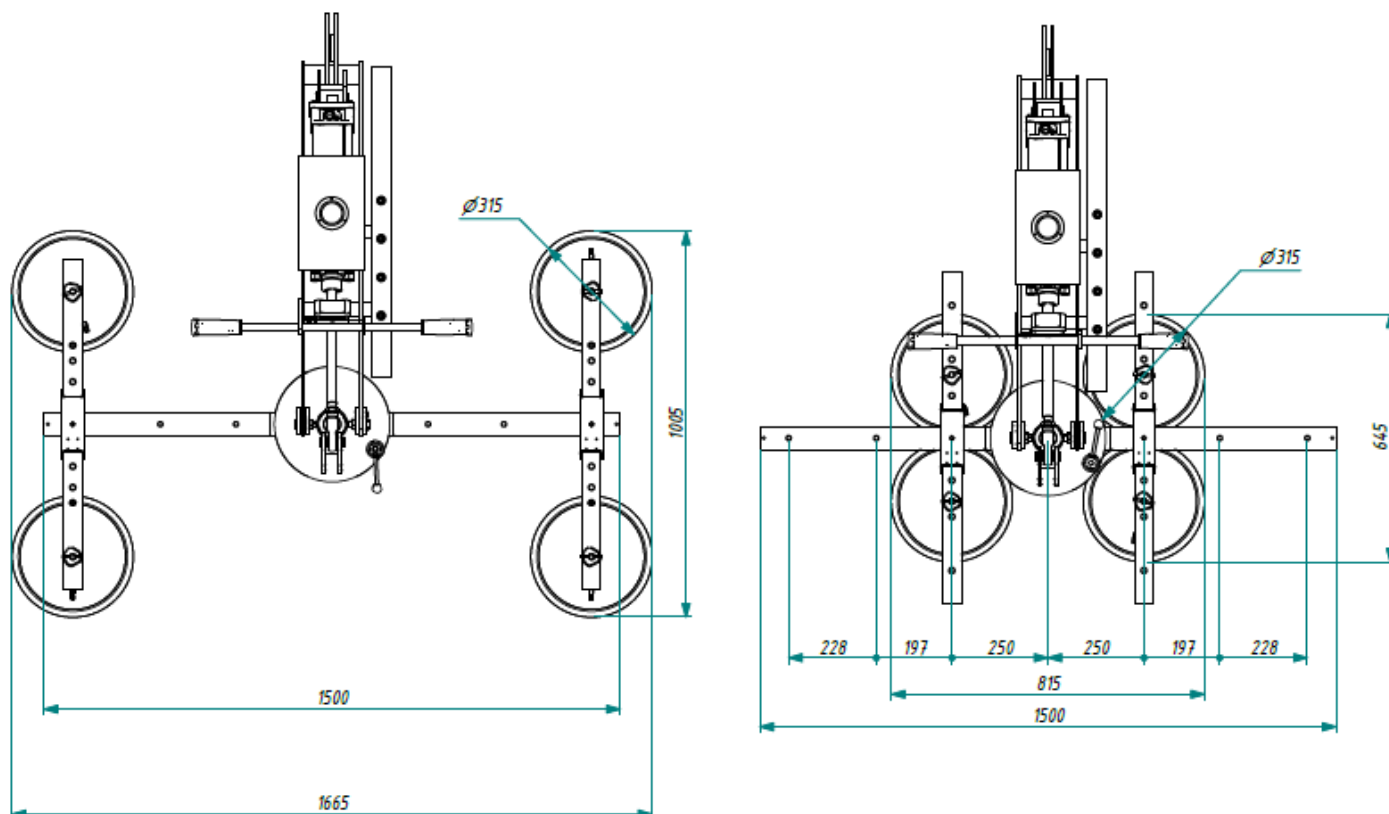
This model is also available with suction pads d. 390 mm and lifting capacity 600kg.



Technical specification

Application	Glass panes
Lifting capacity	Max 400 kg
Suction pads	No. 4 round suction pads diameter 310 mm Lipped pads with safety ring
Pad spread	Various pads configurations: Min about 815 x 645 mm Max about 1605 x 1005 mm
Load movement	Continuous 360-degree rotation, with possibility of automatic locking at each 90° 90-degree pneumatic tilt
Operating system	Compressed air
Vacuum system	Single vacuum circuit with vacuum reserve and non return valve
Weight of lifter	Kg 87
Control	Manual on off valve on the lifter's frame Release of the load by dual action security command Joystick for controlling the pneumatic tilting
Standard features	Audible and visual low vacuum warning devices Vacuum gauge Vacuum filter Adjustable arms and pads position
Optional	Pneumatic buttons 90° pneumatic rotation Pneumatic economizer

Technical drawings



Pneumatic tilt 0-90°



Capacity max 400kg



Manual continuous rotation 360°



Safety devices



4 vacuum pads d.310 mm



Indoor use

CE

made in
ITALY