

Vacuum lifter

Righetti Vacuum lifters SPECIALISTS
smart vacuum lifters

Series
P3A

 Kg max
2000

AIR Power supply
Compressed Air



The P3A series of Vacuum Lifters is a range of 3-pads models with lifting capacity **from 375 kg to 2000 kg**. The P3A series is powered by compressed air. The **pneumatic tilting system** allows an assisted movement vertical – horizontal of the load and vice versa. The maximum capacity of the lifter depends on the dimension of the suction plates.

Thanks to the individual pads shut-off, activated through a tap placed on the lifter frame, **it's possible to use only the central pad** to lift even smaller pieces or semifinished products. Equipped with an **audio-visual alarm** control unit that warns the operator of possible dangerous situations. The vacuum gauge with coloured scale allows constant control of the vacuum level reached. Present a **filtering system for dust and condensation**.



Horizontal lifting

✓ 3 suction pads



Vertical lifting

✓ Max capacity 2000 kg



Pneumatic tilt 0-90°

✓ Safety devices

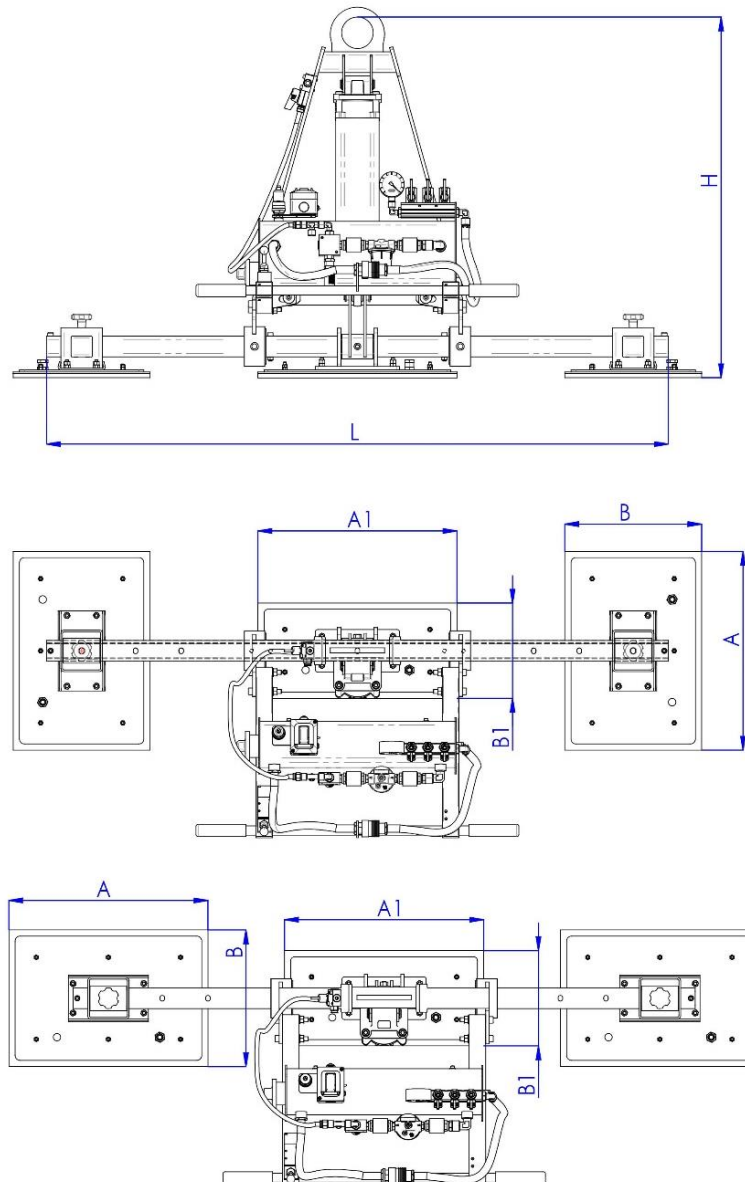
CE

made in
ITALY

Technical specification

| | |
|-------------------|---|
| Application | Not porous materials |
| Lifting capacity | Models up to 2000 kg |
| Suction pads | Nr. 3 suction pads |
| Load movement | Powered tilt 0-90° ; control of tilting system by joystick command |
| Operating system | Compressed air |
| Vacuum system | Vacuum circuit, complete of vacuum reserve and non return valve |
| Control | Manual valve on the lifter's frame Release of the load by dual action security command |
| Standard features | On-off double sliding valve with safety Audible and visual low vacuum warning devices Vacuum gauge with colored scale, vacuum filter, non return valves |
| Optional | White gaskets Parking stand with wheels Holder for hoist command |

Technical drawing



Series P3A

 **Kg max 2000**

| Product code | Lifting capacity | Central pad A1 x B1 | Lateral pads A x B | H |
|--------------|------------------|------------------------|-----------------------|-----|
| P3A 375 | 375 | 480 x 230 | 480 x 230 | 870 |
| P3A 625 | 625 | 480 x 230 | 480 x 330 | 870 |
| P3A 750 | 750 | 480 x 330 | 480 x 330 | 955 |
| P3A 1000 | 1000 | 630 x 330 | 630 x 330 | 870 |
| P3A 1200 | 1200 | 630 x 280 | 630 x 430 | 870 |
| P3A 1500 | 1500 | 630 x 430 | 630 x 430 | 955 |
| P3A 2000 | 2000 | 830 x 480 | 830 x 480 | 955 |

*L standard dimension is mm 1500; on request different lengths.