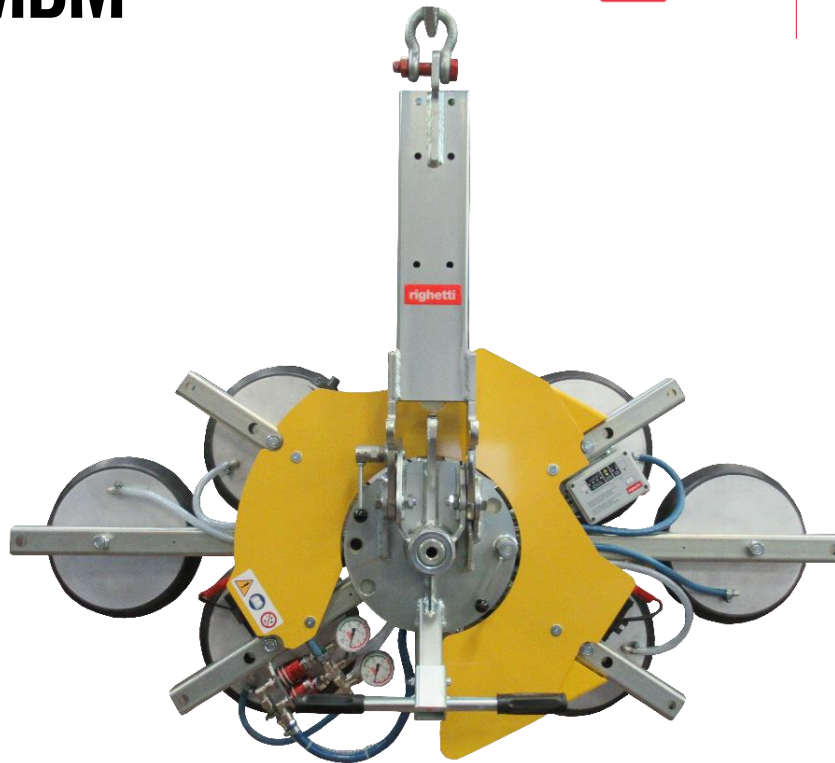


Model

VB6 RCMBM

Vacuum glass lifter



The VB6 RCMBM is a vacuum glass lifter with **manual 360° continuous rotation** and **manual tilting system 0-90°**. It has 6 round pads d. 310mm. The pad spread dimension is mm 1420 x 678.

Vacuum glass lifter VB6 RCMBM is **battery powered** by rechargeable batteries that, if necessary, may be easily removed and quickly replaced.

VB6 is specific vacuum glass lifter for construction site use with **dual vacuum circuit** according to EN13155. It is also available with vacuum pads d. 390 mm and capacity 900 kg, model VB6 RCMBM d4.



Manual tilt 0-90°



Manual continuous rotation 360°



Max capacity 600kg



6 vacuum pads d.310 mm



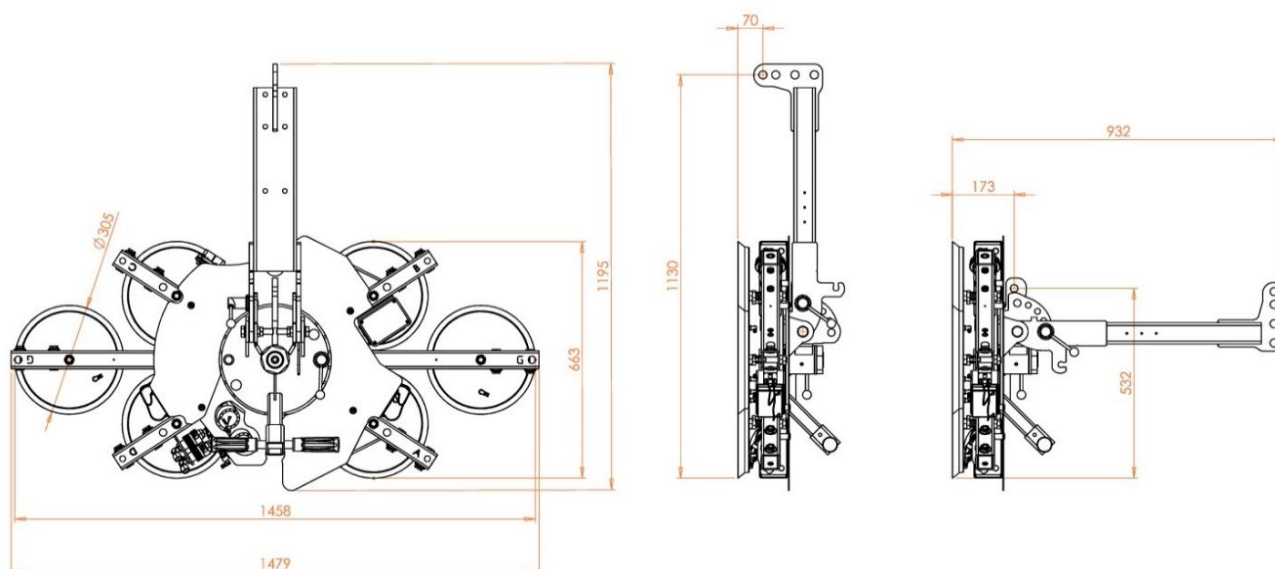
Safety devices



Dual vacuum circuit



Technical drawing



Technical specification

Application	Glass panels
Lifting capacity	Max 600 kg
Suction pads	No. 6 round suction pads diameter 310 mm Lipped pads with safety ring
Pad spread	mm 1479x663
Load movement	Continuous 360 degree rotation, with possibility of automatic locking at each 90° 90 degree tilt, with possibility of automatic locking in upright and flat position
Operating system	DC vacuum pump powered from on-board batteries High capacity re-chargeable batteries Battery status indicator Economizer for reduction of the energy consumption
Vacuum system	2 independent vacuum circuits, each vacuum circuit with vacuum reserve and non return valve
Weight of lifter	Kg 81
Structural depth	mm 250
Control	Manual on off valve on the lifter's frame Release of the load by dual action security command Remote control as optional
Standard features	Audible and visual low vacuum warning devices Vacuum gauge for each vacuum circuit Battery charger 240 Volt Vacuum filter Multi position hook connection Lowered suspension for installing of transom window