

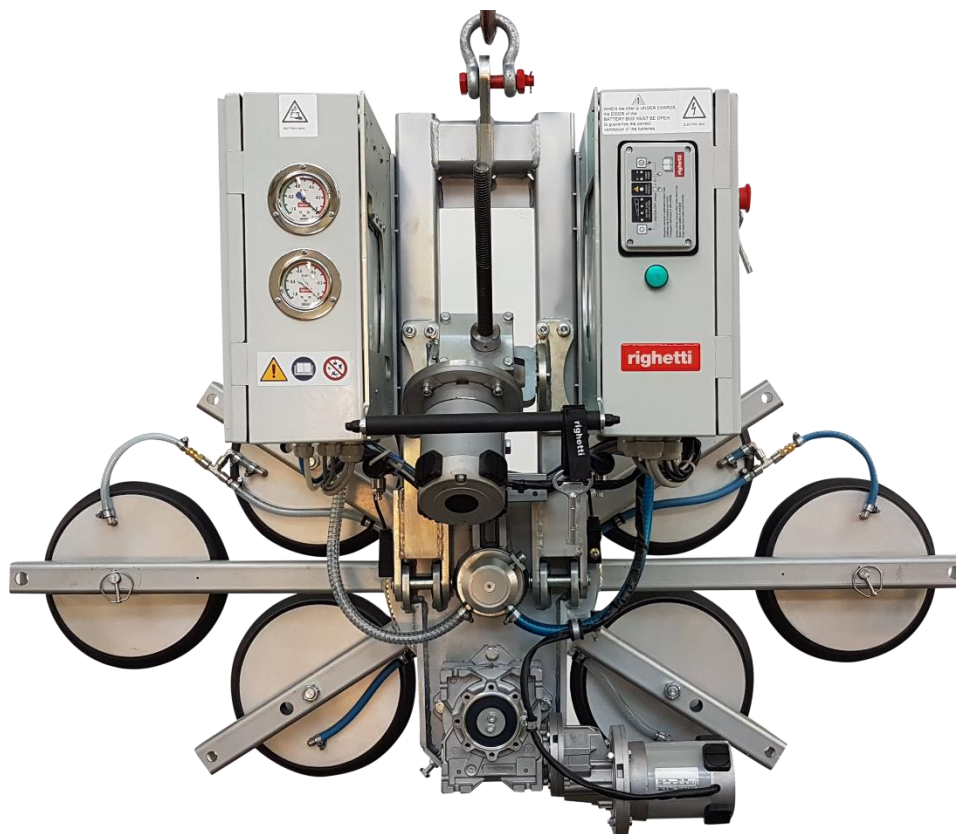
Model

smart vacuum lifters

VB6 RCEBE

Vacuum glass lifter


**Kg max
600**

**Battery
powered**


The VB6 RCEBE is a vacuum glass lifter with **electric 360° continuous rotation** and **electric tilting system 0-90°**. It has 6 round pads d. 310mm and the pad spread dimension is mm 1420 x 678.

Vacuum glass lifter VB6 RCEBE is **battery powered** by rechargeable batteries that, if necessary, may be easily removed and quickly replaced. VB6 is specific vacuum glass lifter for construction site use with **dual vacuum circuit** according to EN13155.

It is also available with vacuum pads d. 390 mm and capacity 900 kg, model VB6 RCEBE d4; and also with one electric movement and the other one manual.



Powered tilt 0-90°



Powered continuous rotation 360°



Max capacity 600kg



6 vacuum pads d.310 mm

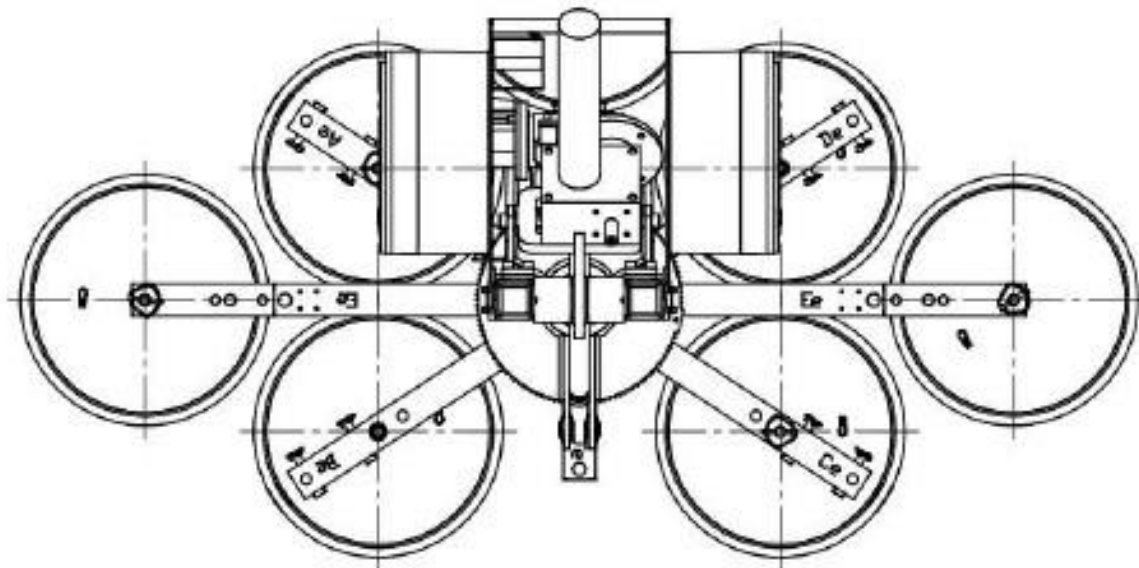


Safety devices



Dual vacuum circuit

Technical drawing



Technical specification

Application	Glass panels
Lifting capacity	Max 600 kg
Suction pads	No. 6 round suction pads diameter 310 mm Lipped pads with safety ring
Pad spread	mm 1479 x 663
Load movement	Continuous 360 degrees electric rotation 90 degrees electric tilt
Operating system	DC vacuum pump powered from on-board batteries High capacity re-chargeable batteries Battery status indicator Economizer for reduction of the energy consumption
Vacuum system	2 independent vacuum circuits, each vacuum circuit with vacuum reserve and non return valve
Weight of lifter	Kg 146
Structural depth	mm 614
Control	Tilting, rotation, suction and release are controlled by wireless radio remote control Release of the load by dual action security command
Standard features	Audible and visual low vacuum warning devices Vacuum gauge for each vacuum circuit Battery charger 240 Volt Vacuum filter